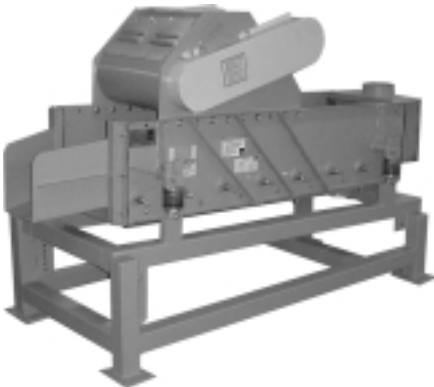




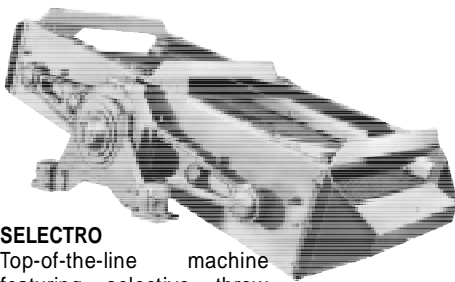
DH2
High production,
excellent separation,
minimum maintenance



VIBROSET
Adjustable angle,
speed and stroke



HORIZONTAL
Low profile design with
excellent throughput for solid/solid
or liquid/solid separation



SELECTRO
Top-of-the-line machine
featuring selective throw
and adjustable operation tilt

Did you know...

...that 12 of the 25 leading
U.S. Sand and Gravel Producers
depend on SMICO Vibratory
Screening Equipment.*

*Source: United States Geological Survey's Top Producers of 2000, AGGMAN Magazine, May 2002

For dependable performance and durability these
companies count on Smico Vibratory Screening
Equipment.

- Hanson Building Materials /
- Hanson Aggregates
- Martin Marietta Aggregates
- Cemex, Inc.
- Peter Kiewit Sons, Inc.
- Lafarge Corporation
- RMC Pacific Materials
- Rinker Materials Corporation
- Tiechert & Son, Inc.
- Florida Rock Industries, Inc.
- Trinity Industries
- Ashland Oil, Inc. / APAC, Inc.

Don't you think it's time that you
get to know SMICO?



SMICO Manufacturing Company, LLC

500 North MacArthur Boulevard
Oklahoma City, OK 73127-5602
405-946-1461
800-351-9088
Fax 405-946-1472
smico@smico.com
www.smico.com